

PRODUCT INFORMATION PACKET

Model No: 056T34V5309

Catalog No: N609

General Purpose Motor, 2 HP, 3 Ph, 60 Hz, 208-230/460 V, 3600 RPM, 56HC Frame, TENV



Regal and Marathon are trademarks of Regal Rexnord Corporation or one of its affiliated companies.

©2024 Regal Rexnord Corporation, All Rights Reserved. MC017097E



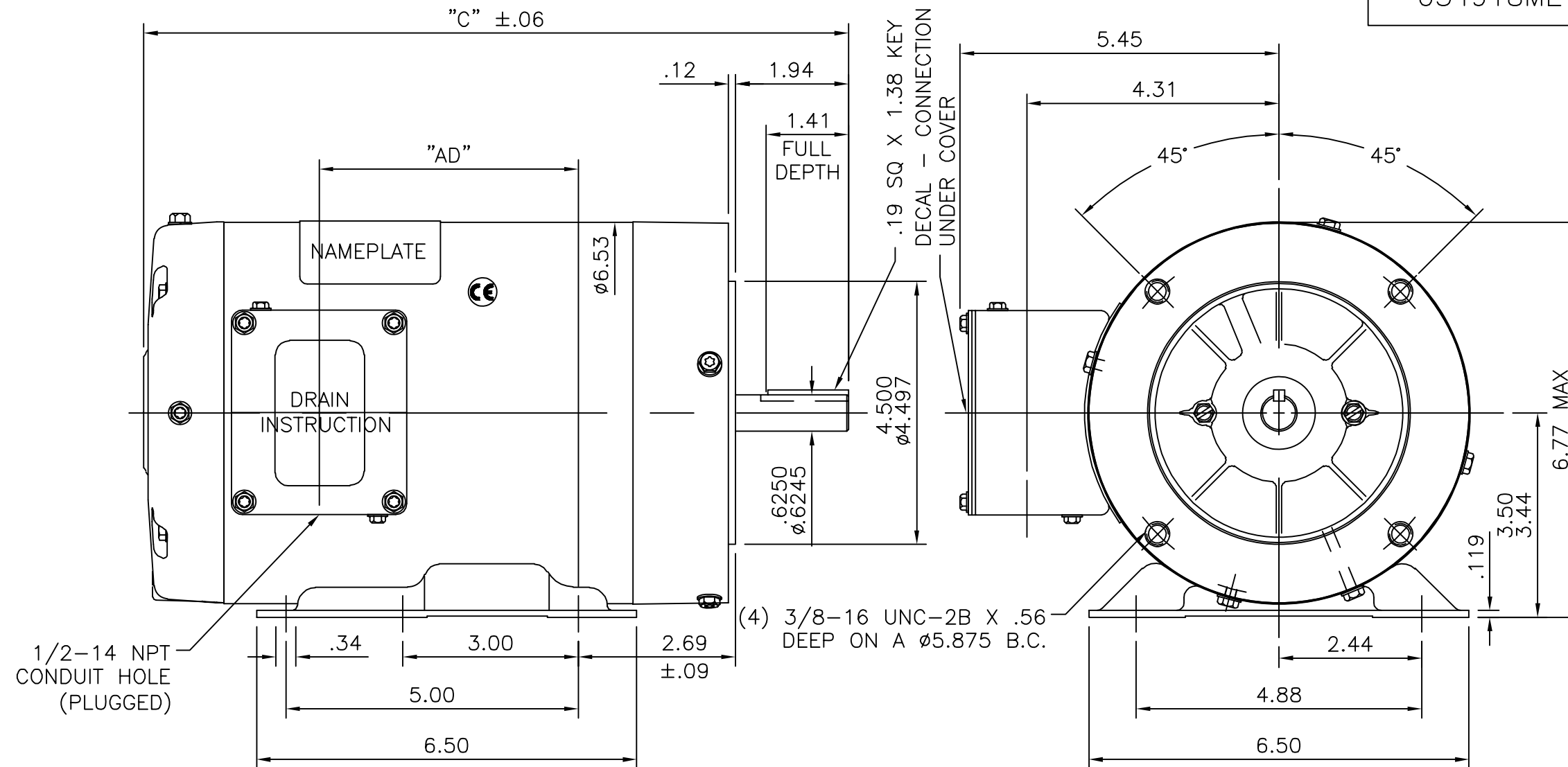
Nameplate Specifications

Phase	3	Output HP	2 Hp
Output KW	1.5 kW	Voltage	208-230/460 V
Speed	3450 rpm	Service Factor	1
Frame	56HC	Enclosure	Totally Enclosed Non Ventilated
Thermal Protection	No Protection	Efficiency	84.2 %
Ambient Temperature	40 °C	Frequency	60 Hz
Current	5.6-5.0/2.5 A	Power Factor	88.90
Duty	Continuous	Insulation Class	F
Design Code	A	KVA Code	M
Drive End Bearing Size	6205	Opp Drive End Bearing Size	6203
UL	Recognized	CSA	Y
CE	Y	IP Code	55
Number of Speeds	1		

Technical Specifications

Electrical Type	Squirrel Cage Inverter Rated	Starting Method	Line Or Inverter
Poles	2	Rotation	Reversible
Mounting	Rigid Base	Motor Orientation	Horizontal
Drive End Bearing	Ball	Opp Drive End Bearing	Ball
Frame Material	Rolled Steel	Shaft Type	NEMA 56
Overall Length	13.06 in	Frame Length	8.00 in
Shaft Diameter	0.625 in	Shaft Extension	1.94 in
Assembly/Box Mounting	F1 ONLY	Inverter Load	CONSTANT 1000:1
Connection Drawing	005010.01ME	Outline Drawing	034918ME-800

034918ME



SPECIAL FEATURES:

- 1) SHAFT SEALS & V-RING
- 2) DRAIN HOLES IN ENDBELLS & CONDUIT BOX
- 3) STAINLESS STEEL SHAFT, HARDWARE & NAMEPLATE
- 4) GASKETS THROUGHOUT

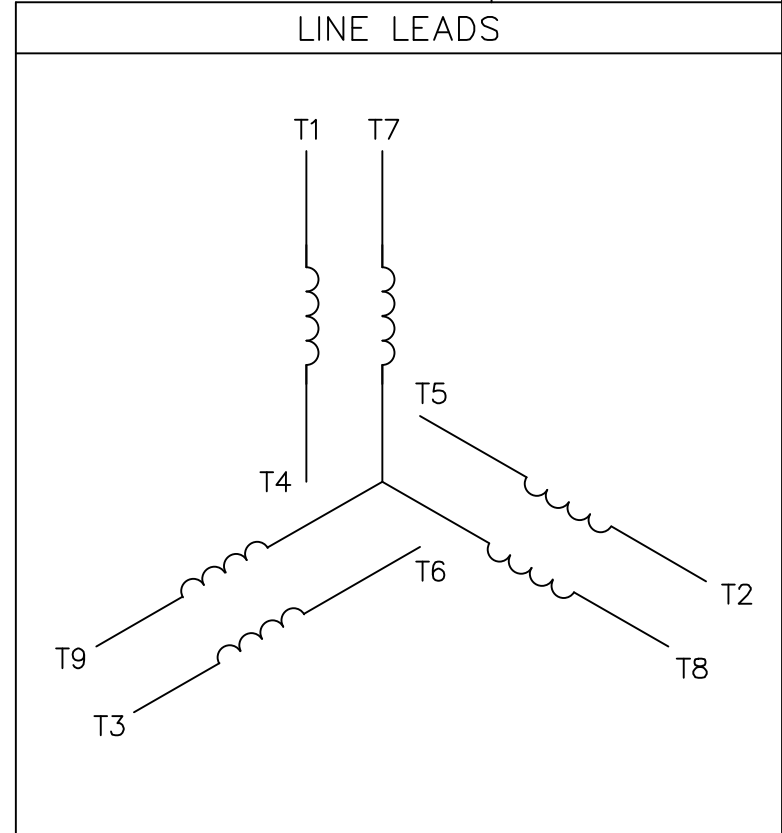
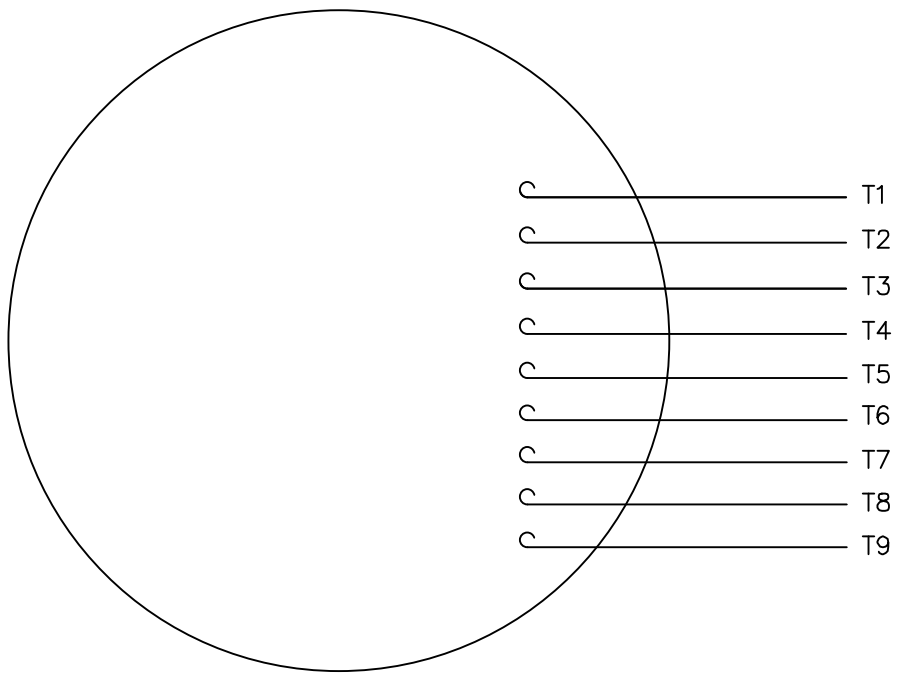
DASH NO.	"C"	"AD"
700	12.06	4.44
750	12.56	4.94
800	13.06	5.44

ORACLE REV	02
---------------	----

MAXIMUM FACE RUNOUT .004 T.I.R.
 MAXIMUM PILOT ECCENTRICITY .004 T.I.R.
 PERMISSIBLE SHAFT RUNOUT .002 T.I.R.

		TOLERANCES UNLESS SPECIFIED		MARATHON ELECTRIC		DRAWN RLV 1/6/05	
		DEC.	INCHES			CHK RW 11/29/05	
		.X	±.1			APPD KH 11/29/05	
		.XX	±.03	TITLE		SCALE 3=8	
		.XXX	±.005	OUTLINE - 56HC FRAME		REF	
		.XXXX	±.0005	TENV - RIGID "C"		FMF	
NO.	REVISION	BY & DATE	CHK	ANG	±1/2'	FINISH	PREV
B	CORRECTED SIDE BOX ECO-0063000	CDF 10/17/14	GS	.XXX	±.005		
A	OUTLINE UPDATED PER ECO-0049716	PVR 04/29/14	JD	.XXXX	±.0005	MAT'L. WASHGUARD	
THIS DRAWING IN DESIGN AND DETAIL IS OUR PROPERTY AND MUST NOT BE USED EXCEPT IN CONNECTION WITH OUR WORK ALL RIGHTS OF DESIGN AND INVENTION ARE RESERVED THIS IS AN ELECTRONICALLY GENERATED DOCUMENT - DO NOT SCALE THIS PRINT		RFP	CAD FILE		034918ME	SIZE	DRAWING NO. PAGE OF REV.
		DIST				A	034918ME B

VIEW FROM OUTSIDE OF MOTOR AT SWITCH END.



VOLTAGE	L1	L2	L3	JOIN & INSULATE
HIGH	T1	T2	T3	(T4,T7) (T5,T8) (T6,T9)
LOW	T1,T7	T2,T8	T3,T9	T4,T5,T6

		TOLERANCES UNLESS SPECIFIED		DRAWN RDW 04/12/02					
		DEC.	INCHES	CHK					
		.X	±.1	APPD					
		.XX	±.01	SCALE 1=1					
		.XXX	±.005	REF FIG.2-51					
		.XXXX	±.0005	FMF					
NO.	REVISION	BY & DATE	CHK	ANG	FINISH	PREV			
				±1/2'					
THIS DRAWING IN DESIGN AND DETAIL IS OUR PROPERTY AND MUST NOT BE USED EXCEPT IN CONNECTION WITH OUR WORK ALL RIGHTS OF DESIGN AND INVENTION ARE RESERVED THIS IS AN ELECTRONICALLY GENERATED DOCUMENT - DO NOT SCALE THIS PRINT			RFP	04/12/02	CAD FILE	00501001ME	SIZE	DRAWING NO.	REV.
			DIST				A	005010-01ME	



TITLE EXTERNAL WIRING DIAGRAM
3 PHASE W/O PROTECTOR
MAT'L. DECAL - 004014

EC Declaration of Conformity

The undersigned representing
the manufacturer:

Regal Beloit America
100 East Randolph St.
Wausau, WI 54401

and the authorized representative
established within the Community:

Marathon Electric UK
6F Thistleton Road Ind. Estate
Market Overton
Oakham, Rutland LE15 7PP UK

are committed to providing customers with products that comply with applicable regulations and international protocols to which they are subject, including the requirements of the European Parliament Directive on the Harmonization of the laws relating to electrical equipment designed for use within certain voltage limits (2014/35/EU).

Regal Beloit America declares that the following product(s), to which this declaration relates, are in conformity with the relevant sections of the EC standards listed below.

This statement supersedes any statements previously issued pertaining to the product(s) listed below and is subject to change without notice.

Model No : 056T34V5309

(Model No. may contain prefix and/or suffix characters)

Catalog No : N609

Rework No : N/A

Directives :

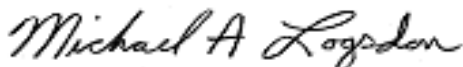
Low Voltage Directive 2014/35/EU

Harmonized Standards Used :

EN 60034-1: 2010 (IEC 60034-1: 2010)

EN 60034-5: 2001/A1:2007 (IEC 60034-5: 2000/A1:2006)

Authorized Representative:



Michael A. Logsdon
Vice President, Technology

Authorized Representative in the Community:



Julian Clark
Marketing Engineer

Created on 09/06/2022

CE 22